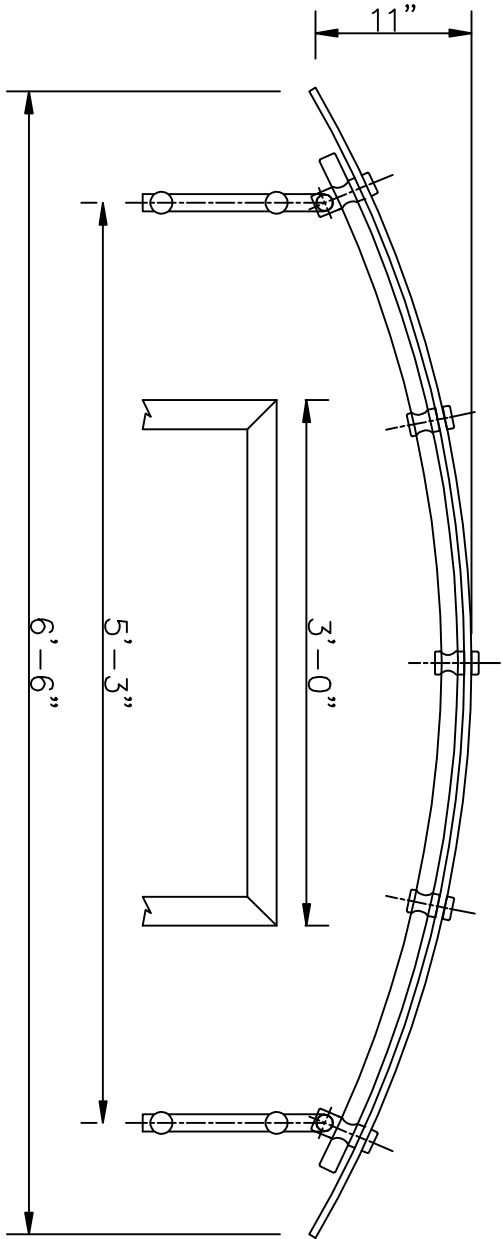
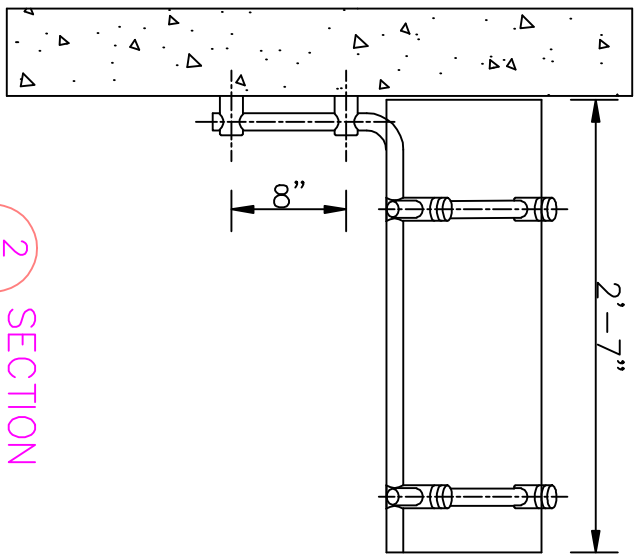


MODEL SEATTLE



1 ELEVATION



2 SECTION